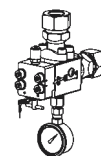




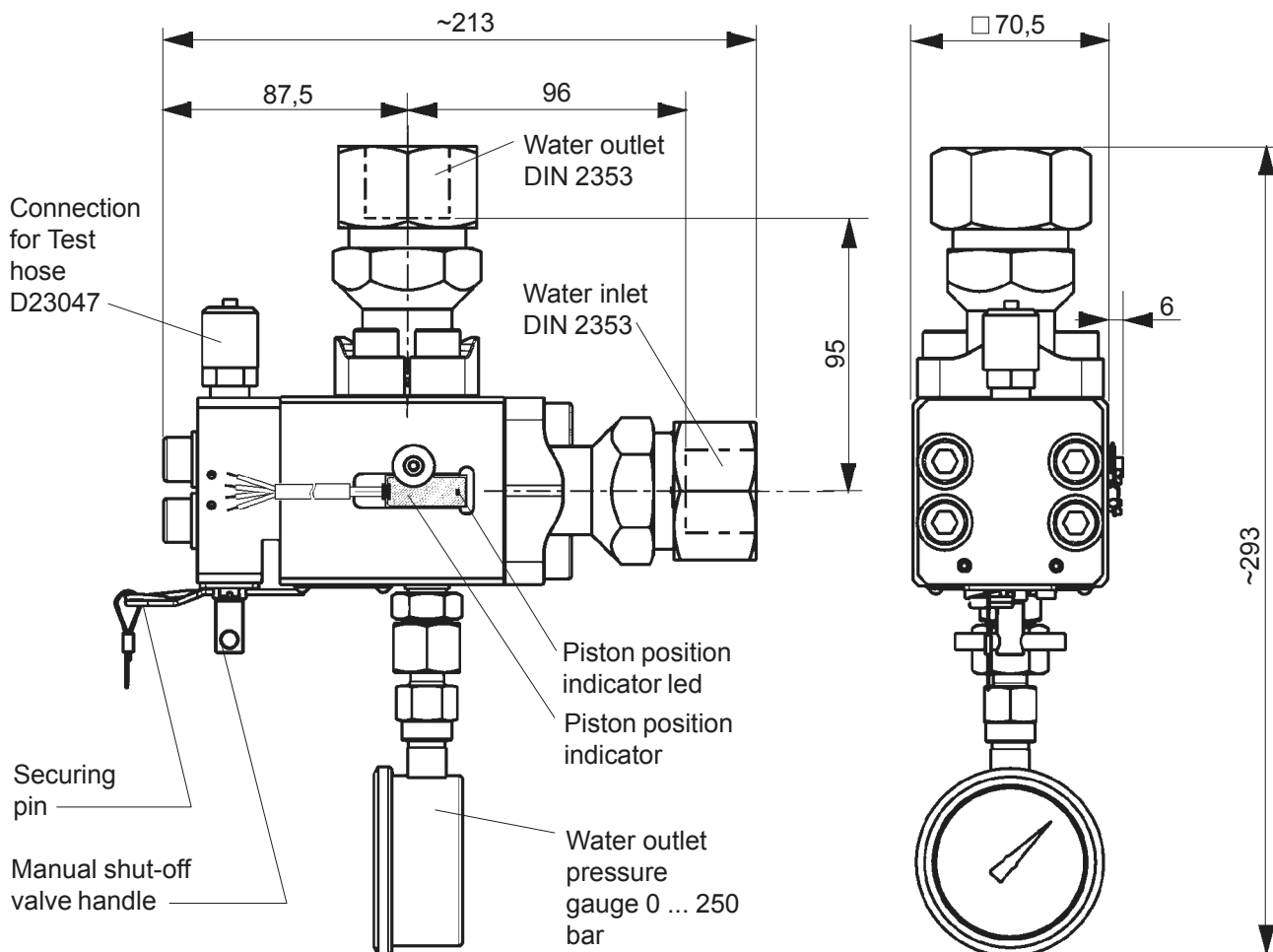
Section Valve NS 20



Stock code D00010.1

30 Aug 2004

Stock code	Valve type	Voltage Flow ind.	Water tube O.D. [mm]	
			Inlet	Outlet
D00010.1	SVA 20-A2P-S30/30-10-M	24 VDC	30,0	30,0



Description:

The section valve is used to divide the sprinkler system into different sections. In the case of fire the sprinkler activates, causing flow through the valve. The flow is detected by the flow switch, which sends a signal to the control board, identifying the activated section.

The section valve is normally open, but can be closed with the manual shut-off valve. A small leakage through the valve may occur after closing as the pressure stabilises.

The test connection is used to test the flow indication function, by causing a flow through the valve. The piston position indicator shows the piston position inside the valve: led light on = piston in stand by position; led light off = piston in open position.

General	Body material	Brass
	Connections	Cutting ring DIN2353
	Valve function	Normally open, with manual shut-off valve
	Mass (both versions)	~6,5 kg
	Max. pressure	200 bar

Marioff Marioff Corporation Oy, P.O. Box 86, Virnatie 3, FIN-01301 Vantaa, Finland, tel +358 9 870 851, fax +358 9 8708 5399, e-mail info@marioff.fi, www.hi-fog.com